

**This electronic collection of documents is provided
for the convenience of the user
and is Not a Certified Document –**

**The documents contained herein were originally issued
and sealed by the individuals whose names and license
numbers appear on each page, on the dates appearing
with their signature on that page.**

**This file or an individual page
shall not be considered a certified document.**

COMPUTED BY: _____ AMF _____ DATE: 03/16/2017
 CHECKED BY: _____ DATE: _____

PROJECT REFERENCE NO.	SHEET NO.
B-6035	X-1A

DIVISION OF HIGHWAYS
 STATE OF NORTH CAROLINA

CROSS SECTION INDEX OF SHEETS

INDEX OF SHEETS

DESCRIPTION	SHEET NO.
CROSS SECTION INDEX OF SHEETS AND CROSS SECTION EARTHWORK SUMMARY	X-1A
-L-	X-1 TO X-4

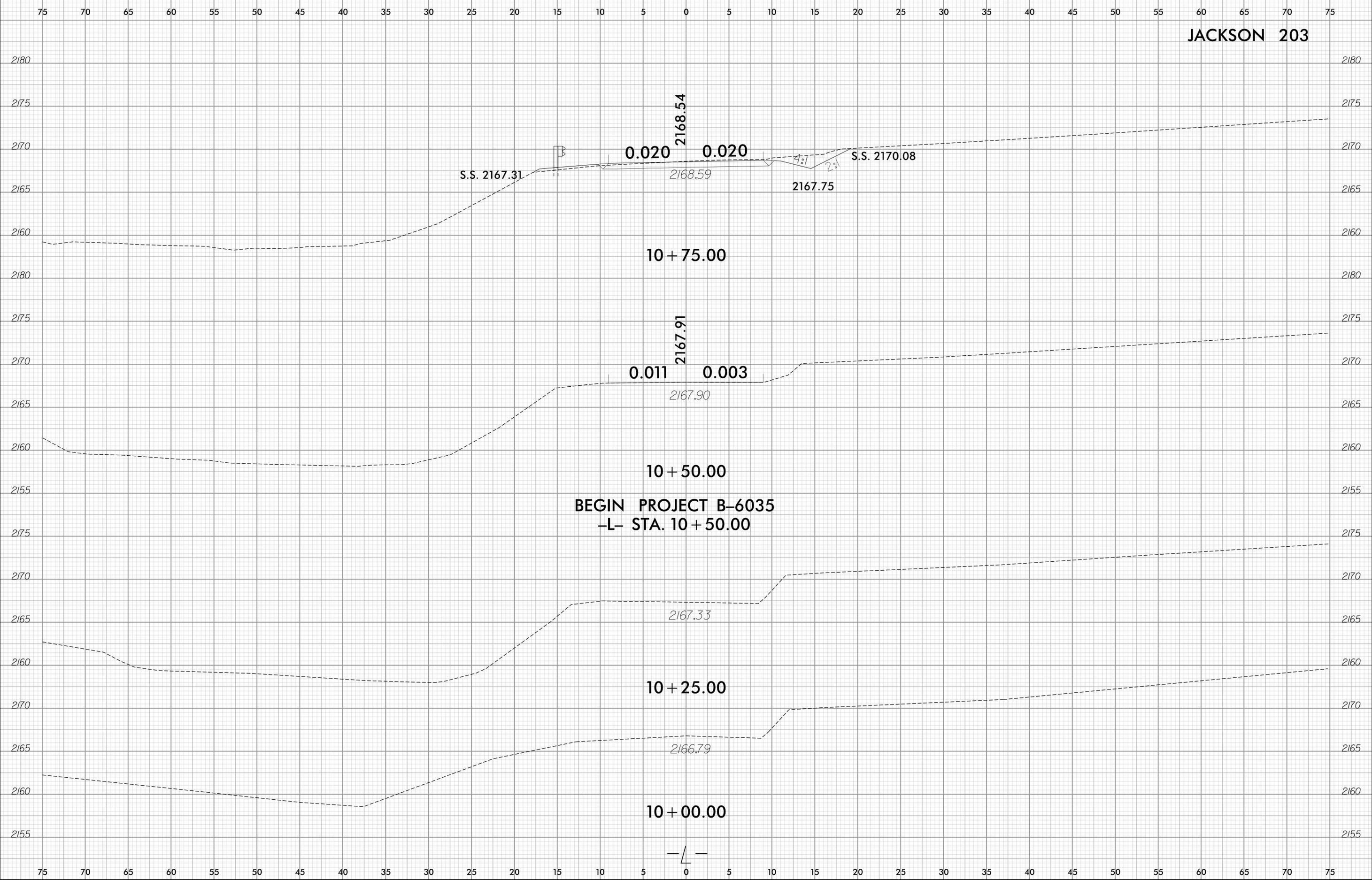
CROSS SECTION EARTHWORK SUMMARY
 IN CUBIC YARDS

STATION -L-	UNCLASSIFIED EXCAVATION	EMBT
10 + 50.00	0	0
10 + 75.00	10	1
11 + 00.00	20	3
11 + 25.00	26	42
11 + 44.01 (BEGIN BRIDGE)	15	55
12 + 16.61 (END BRIDGE)	0	0
12 + 25.00	0	3
12 + 50.00	5	6
12 + 75.00	11	5
12 + 90.00	4	1

NOTE: EMBANKMENT COLUMN DOES NOT INCLUDE BACKFILL FOR UNDERCUT.

8/23/99

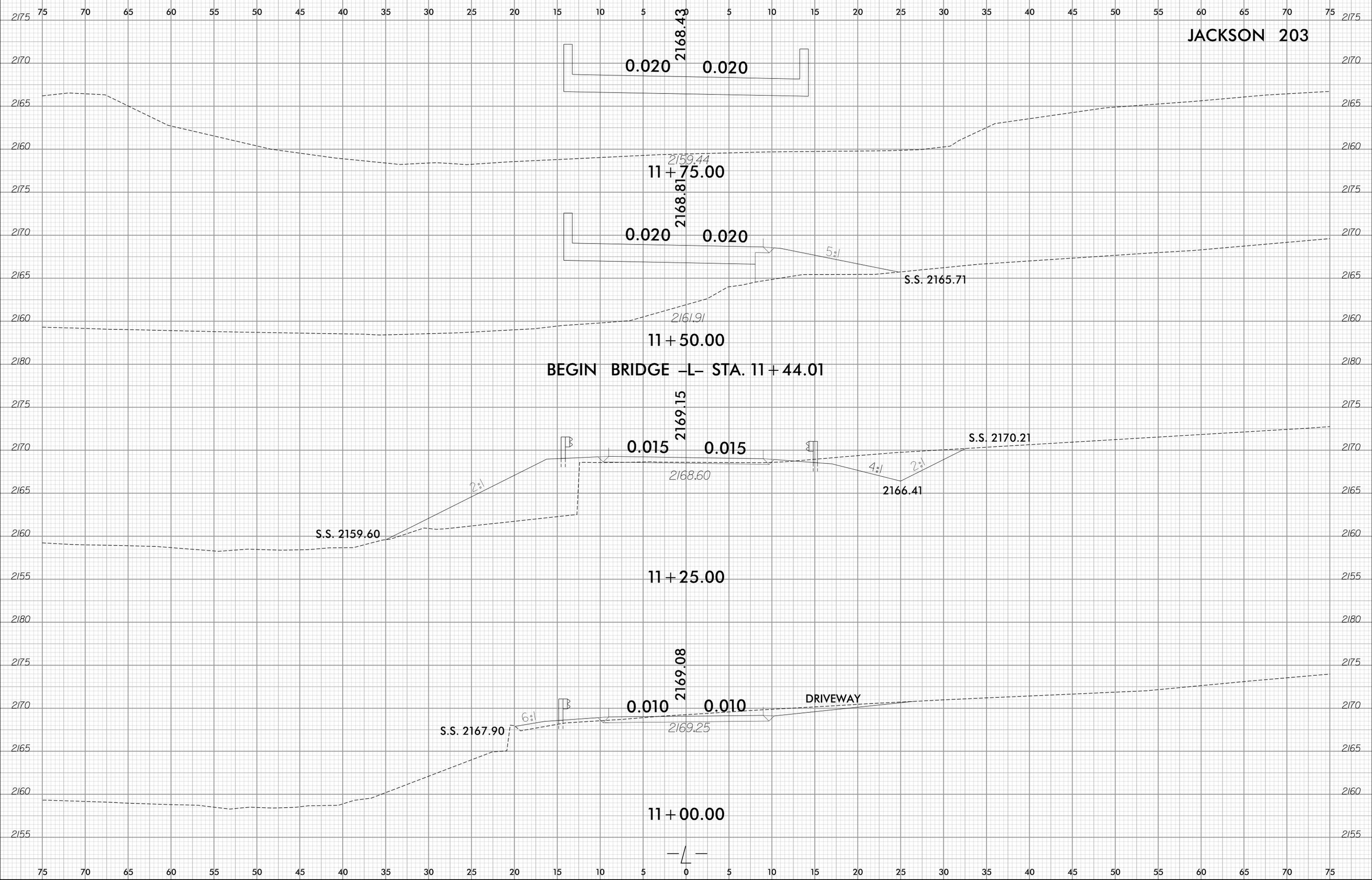
0 2.5 5	PROJ. REFERENCE NO.	SHEET NO.
	B-6035	X-1



8/26/2019 7:05:59 AM
\\scc\Jackson203_rdy_xpl_L.dgn
User:ldayes

8/23/99

0 2.5 5	PROJ. REFERENCE NO.	SHEET NO.
	B-6035	X-2



11/4/2012 2:20:48 PM
X:\sc\Jackson203_rdy_xpl_L.dgn
User:ldaves

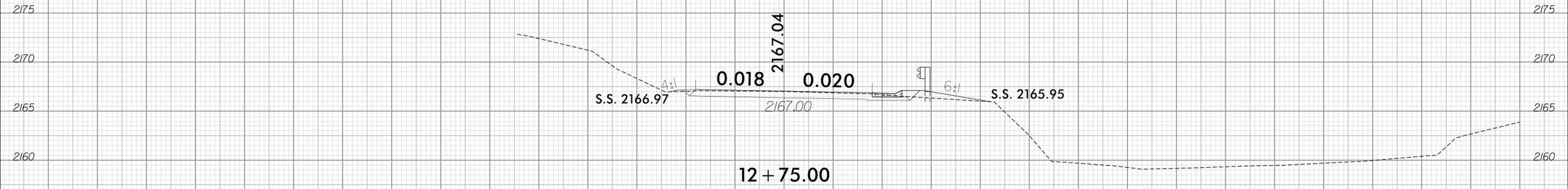
8/23/99

0 2.5 5	PROJ. REFERENCE NO.	SHEET NO.
	B-6035	X-3

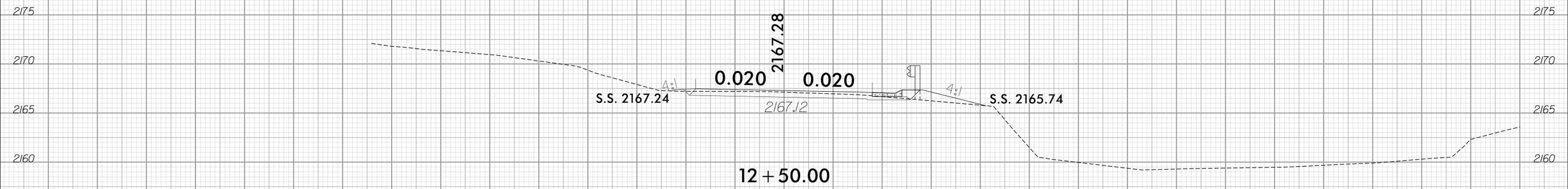
75 70 65 60 55 50 45 40 35 30 25 20 15 10 5 0 5 10 15 20 25 30 35 40 45 50 55 60 65 70 75

JACKSON 203

END PROJECT B-6035 -L- STA. 12 + 90.00



12 + 75.00

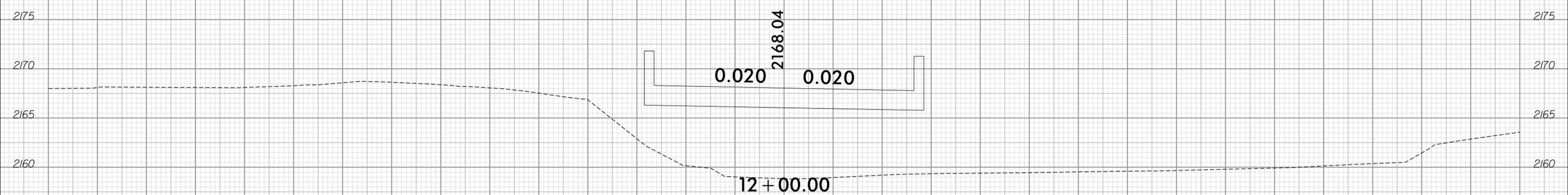


12 + 50.00



12 + 25.00

END BRIDGE -L- STA. 12 + 16.61



12 + 00.00

75 70 65 60 55 50 45 40 35 30 25 20 15 10 5 0 5 10 15 20 25 30 35 40 45 50 55 60 65 70 75

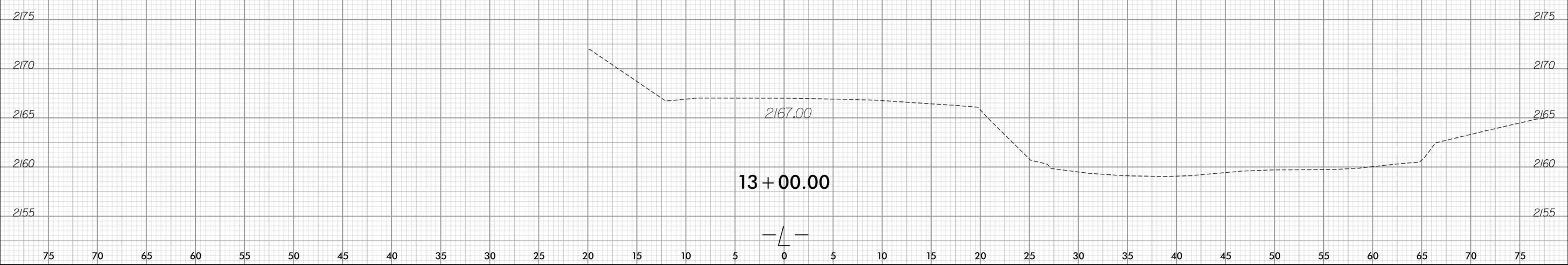
11/5/2017 3:17:28 AM
\\Xsc\Jackson203_rdy_xpl_L.dgn
User:ldaves

8/23/99

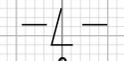
0 2.5 5	PROJ. REFERENCE NO.	SHEET NO.
	B-6035	X-4

75 70 65 60 55 50 45 40 35 30 25 20 15 10 5 0 5 10 15 20 25 30 35 40 45 50 55 60 65 70 75

JACKSON 203



13 + 00.00



11/5/2017 3:17:28 AM
\\Xsc\Jackson203_rdy_xpl.L.dgn
User:ldayes